

Sludge Feeding Pumps

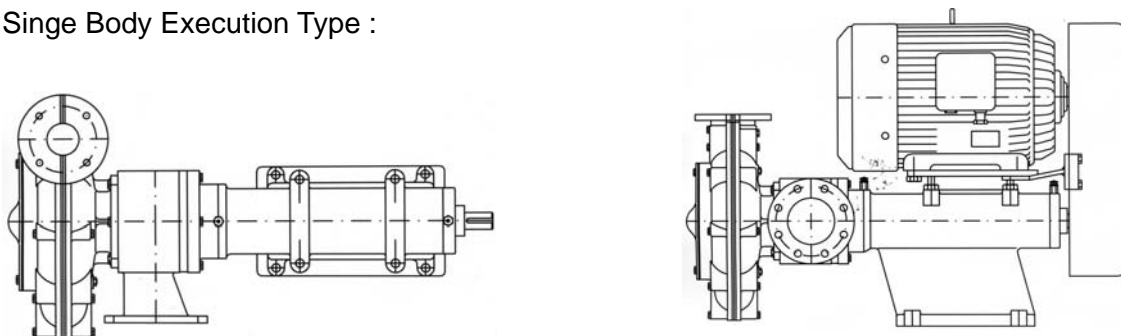
Type : TEFSA horizontal rubber lined centrifugal type sludge feeding pump.

Application field : Marble and granite industries, mining, ceramic industries, iron and steel plants, food industries, paper mills, chemical industries, filter press sludge feeding pumps and etc.

Designed for : Abrasive fluid, acid fluid with abrasive suspensions, temperature up to 90 °C

Advantage : Durable and a clear reduction in maintenance cost and shut-down.

Singe Body Execution Type :



Technical Data :

Model	P200 AO/AB-B75	1004 AO/AB-B7	K125 AO/AB-B75	603 AO/AB-B5	503 AO/AB-B3
Impeller diameter	390 mm	400 mm	350 mm	300 mm	250 mm
DN at inlet	200 mm	175 mm	125 mm	100 mm	90 mm
DN at outlet	175 mm	100 mm	80 mm	65 mm	65 mm
Weight (total about)	800 Kg	700 Kg	600 Kg	450 Kg	300 Kg
Execution	Single body	Single body	Single body	Single body	Single body
Flow	200-500 m ³ /h	100-250 m ³ /h	70-150 m ³ /h	60-90 m ³ /h	30-50 m ³ /h
Operation pressure Max.	6 bar	6 bar	6 bar	6 bar	6 bar
Speed	1,700 rpm	1,450 rpm	1,700 rpm	2,100 rpm	2,200 rpm
Motor Horsepower	55 kW	45 kW	37 kW	18.5 kW	15 kW
Control method	Inverter + Flow meter + Pressure transmitter (to be supplied by buyer)				
Shaft	Horizontal				
Impeller type	Open				
Impeller material	Hardalloy				
Contact parts material	Natural rubber lining (except impeller)				
Body material	Spherical cast iron				
Mechanical seals	Double mechanical seal with water cooling				
Transmission method	V-belts and pulley				
Motor protection	IP-55 outdoor service				



TÉCNICAS DE FILTRACIÓN, S.A.

Josep Argemi, 59-61, 08950 Esplugues de Llobregat, Barcelona

Tel : +34 93 4702400

Fax : +34 93 4734553

Email : tefsa@gruptefsa.com

http:// www.gruptefsa.com

Sludge Feeding Pumps

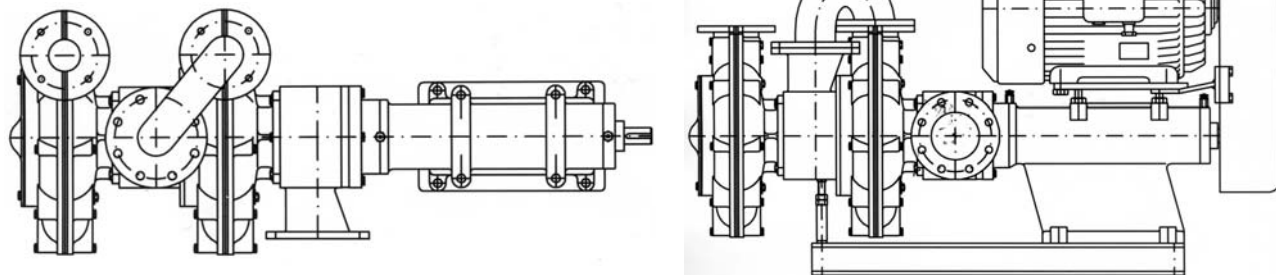
Type : Horizontal rubber lined centrifugal type sludge feeding pump.

Application field : Marble and granite industries, mining, ceramic industries, iron and steel plants, food industries, paper mills, chemical industries, filter press sludge feeding pumps, and etc.

Designed for : Abrasive fluid, acid fluid with abrasive suspensions, temperature up to 90 °C

Advantages : Durable and a clear reduction in maintenance cost and shut-down.

Double Body Execution :



Technical Data :

Model	P200 AO/AB/DC-B10	1004 AO/AB/DC-B10	K125 AO/AB/DC-B10	603 AO/AB/DC-B7	503 AO/AB/DC-B5
Impeller diameter	390 mm	400 mm	350 mm	300 mm	250 mm
DN at inlet	200 mm	175 mm	120 mm	120 mm	120 mm
DN at outlet	175 mm	100mm	80 mm	65 mm	65 mm
Weight (total about)	2.000 Kg	1.600 Kg	900 Kg	700 Kg	500 Kg
Execution	Double body	Double body	Double body	Double body	Double body
Flow rate	200-500 m ³ /h	100-250 m ³ /h	70-150 m ³ /h	60-90 m ³ /h	30-50 m ³ /h
Operation pressure Max.	12 bar	12 bar	12 bar	12 bar	12 bar
Speed	1,700 rpm	1,450 rpm	1,700 rpm	2,100 rpm	2,400 rpm
Motor power	132 kW	75 kW	55 kW	37 kW	30 kW
Control method	Inverter + Flow meter + Pressure Transmitter (To be supplied by the Buyer)				
Shaft	Horizontal				
Impeller type	Open				
Impeller material	Hardalloy				
Contact parts material	Natural rubber lining (except impeller)				
Body material	Spherical cast iron				
Mechanical seals	Double frontal mechanical seal with water cooling				
Transmission method	V-belts and pulley				
Motor protection	IP-55 outdoor service				



TÉCNICAS DE FILTRACIÓN, S.A.

Josep Argemi, 59-61, 08950 Esplugues de Llobregat, Barcelona

Tel : +34 93 4702400

Fax : +34 93 4734553

Email : tefsa@gruptefsa.com

http:// www.gruptefsa.com